



Box Dimensions



Dimensions
12.25 x 9.25 x 2.0 in
311.2 x 235.0 x 50.8 mm



Weight
2.25 lbs | 1.0 kg



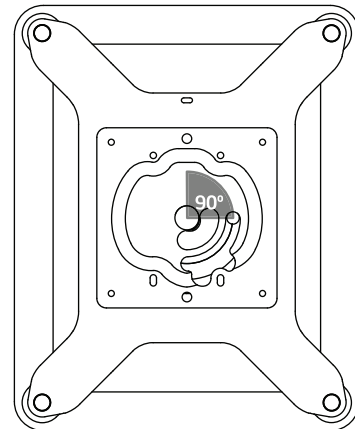
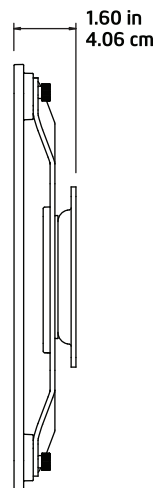
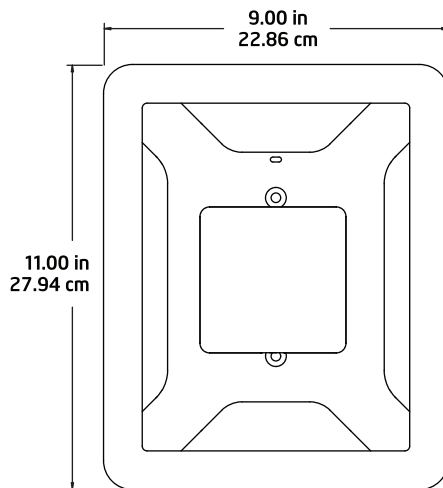
VESA® Compatible



Mounts to J-Box



90° Rotation



Features

- Only 1.6 inches off the wall
- View landscape or portrait with 90° rotation
- VESA® compatible, 100 mm pattern
- Mounts on a J-Box
- Mount directly to the wall or a stud

MSRP \$100

