

Vantage Point's Medium Extend Mount

Full versatility, minimal footprint.

- Pulls out and retracts to own footprint
- Wide range of compatible hole patterns
- Simple, single stud installation
- "Picture Frame" Leveling
- Includes Wire Mgmt. Clips
- Multiple adjustment options
 - tilt (15°), pan, swing, extend (18.8 in, 40.64 cm), level

Box Dimensions



Dimensions
17.5 x 22 x 4.8 in
44.5 x 55.9 x 12.2 cm



Weight
21.5 lbs | 9.8 kg

Master Pack (2/box)

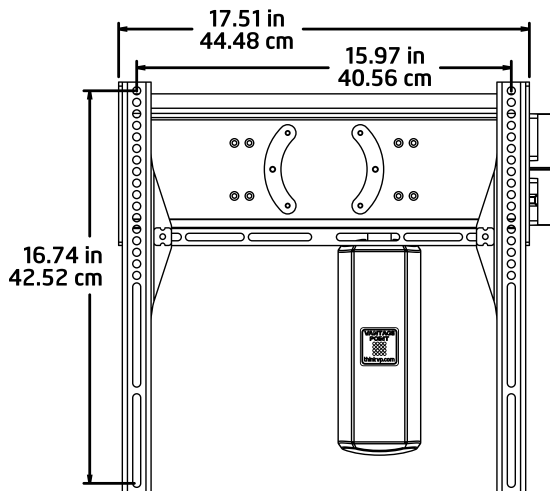


Dimensions
19 x 10 x 23 in
48.3 x 25.4 x 58.4 cm

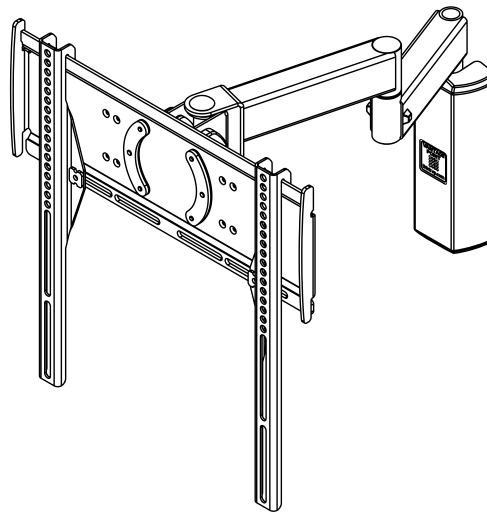
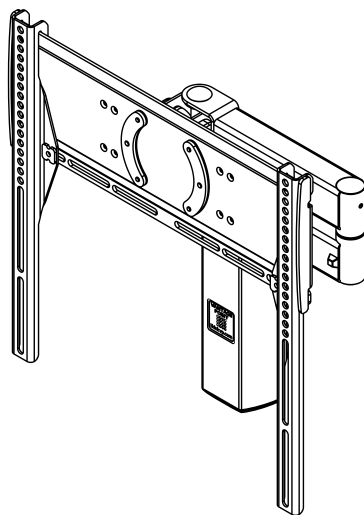
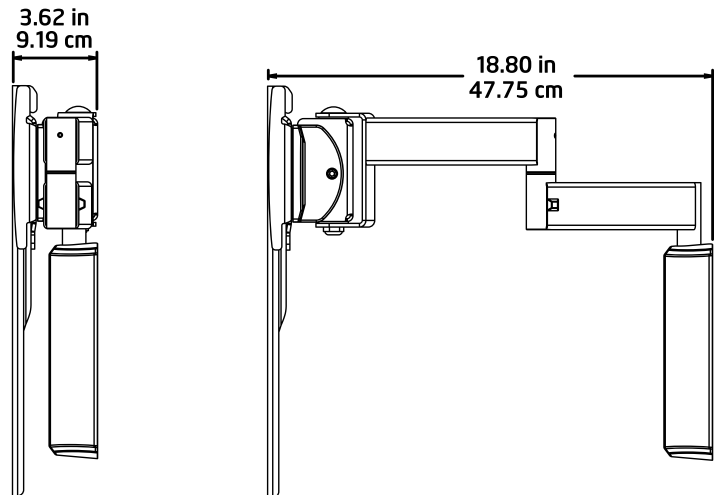


Weight
43 lbs | 19.5 kg

FRONT



SIDE



Product Specifications



Screen Size Range
24 - 47 in | 60 - 119 cm



Max Weight Load
80 lbs | 37 kg



Hole Pattern Range
100 x 100 - 400 x 400 mm