

## Vantage Point's X-Large Multi-Angle Mount

Maximum functionality, minimum cost.

- Supports multiple tilt angles, from 0 - 10°
- Wide range of compatible hole patterns
- Double or triple stud installation
- "Low Profile" mode for slimmer mounting
- Easy to install

### Box Dimensions



**Dimensions**  
4.3 x 40.3 x 2.8 in  
10.8 x 102.2 x 7 cm



**Weight**  
15.5 lbs | 7 kg

### Master Pack (2/box)

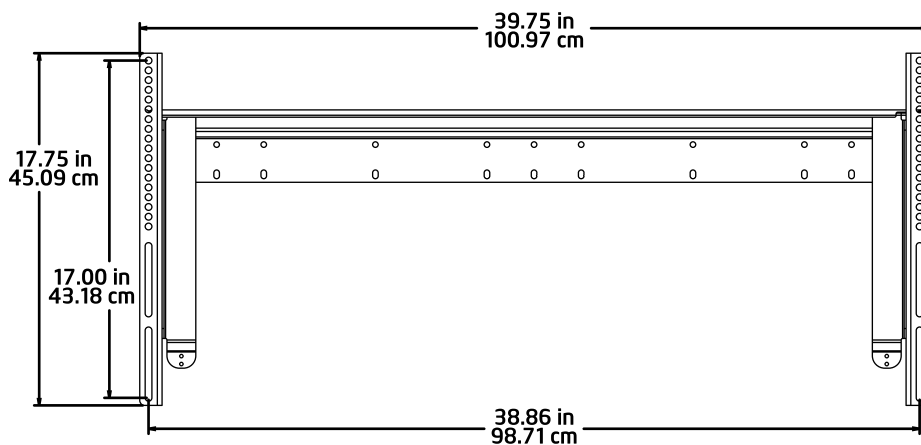


**Dimensions**  
4.8 x 6 x 41 in  
12.2 x 15.2 x 104.1 cm

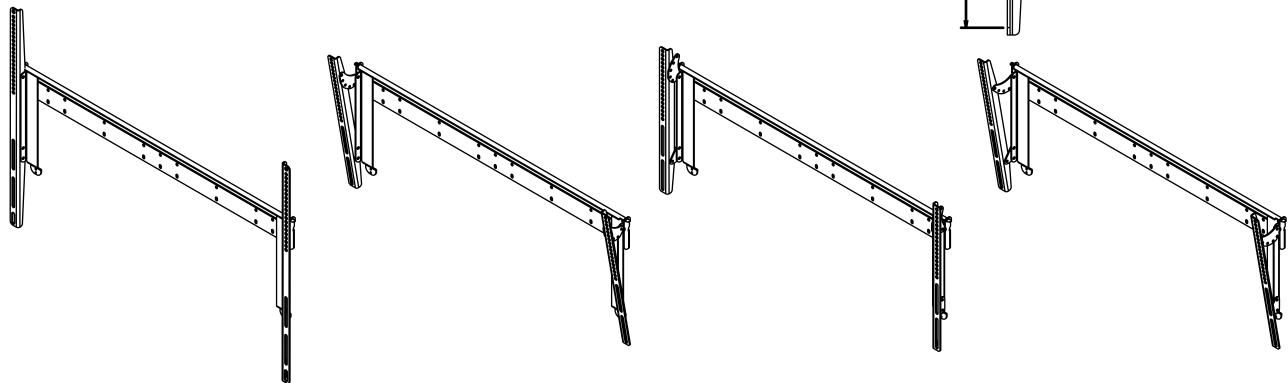
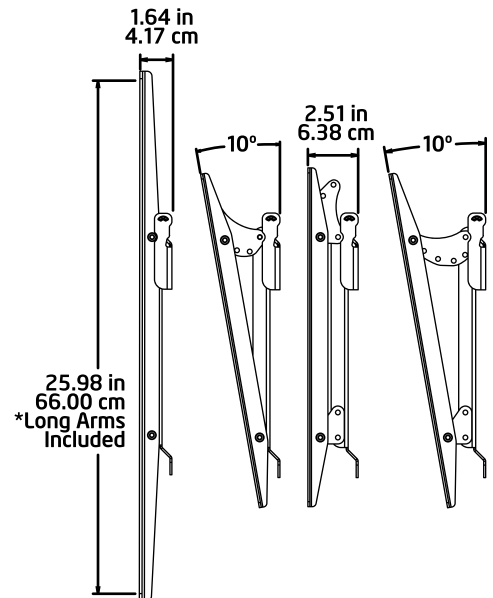


**Weight**  
31.1 lbs | 14.1 kg

### FRONT



### SIDE



## Product Specifications



**Screen Size Range**  
47 - 73 in | 119 - 185 cm



**Max Weight Load**  
160 lbs | 73 kg



**Hole Pattern Range**  
200 x 200 - 800 x 650 mm