



Box Dimensions



Dimensions
12.25 x 12.5 x 5 in
311.2 x 317.5 x 127 mm



Weight
5.2 lbs | 2.4 kg



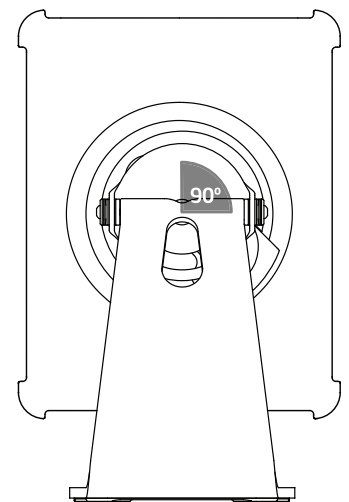
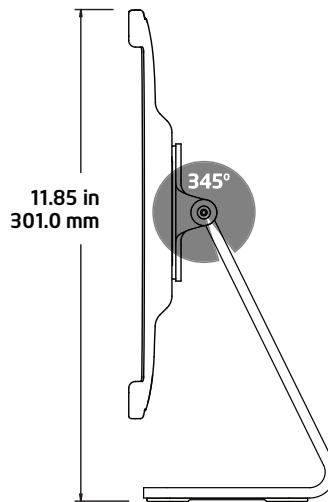
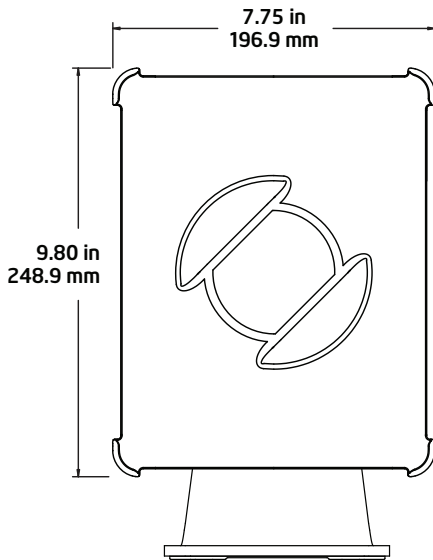
Unlimited Tilt Motion



90° Rotation



Stable Stand



Features

- Stable stand prevent tip-overs
- View landscape or portrait with 90° rotation
- Wiring pass-through for a clean look
- Unlimited Tilt for versatile viewing
- Non-marring feet don't scratch surfaces

MSRP \$100

