

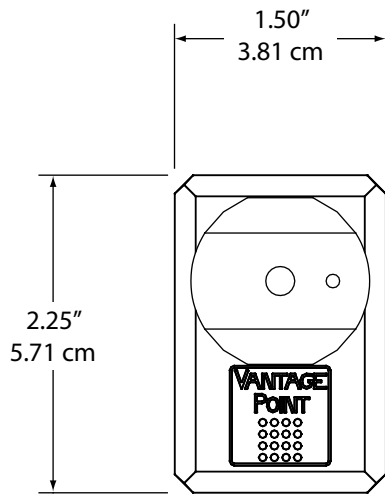
the ēvō system™

E3SM SATELLITE SPEAKER MOUNT SPECIFICATION SHEET

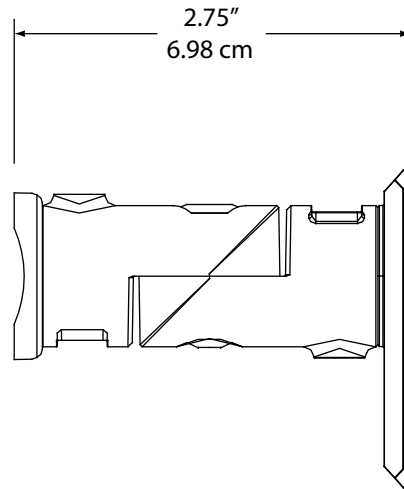
MAX TOTAL WEIGHT 10 LBS / 4.53 KG



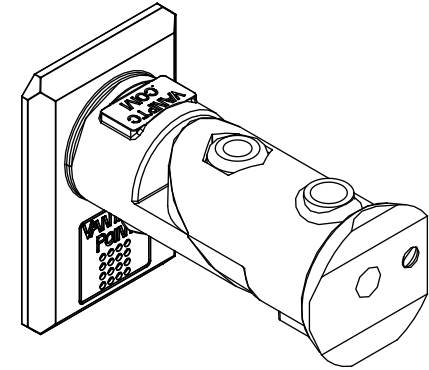
Possibilities are mounting.™



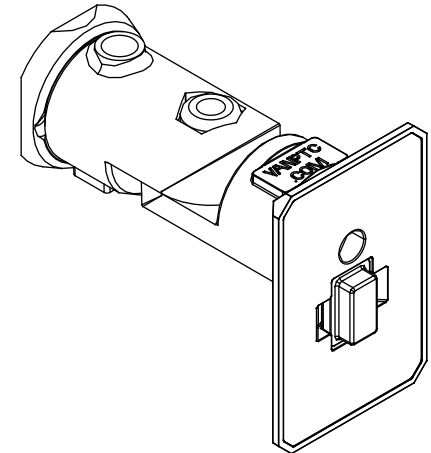
FRONT VIEW



FRONT VIEW



ISOMETRIC VIEW



Vantage Point Products Corp. 10233 Palm Drive Santa Fe Springs, CA 90670

USA: 800.582.9595 Canada: 905.607.9994 Europe: 31.72.581.6056

Email: cons-serv@vanptc.com Website: www.vanptc.com