



### Box Dimensions



**Dimensions**  
12.25 x 9.25 x 4.5 in  
311.2 x 235.0 x 114.3 mm



**Weight**  
3.2 lbs | 1.5 kg



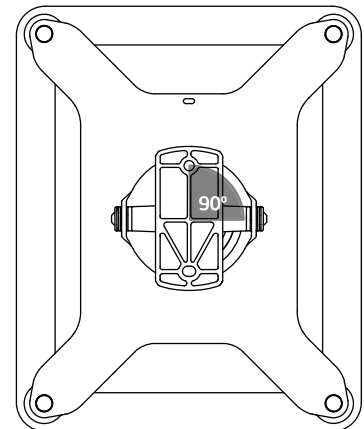
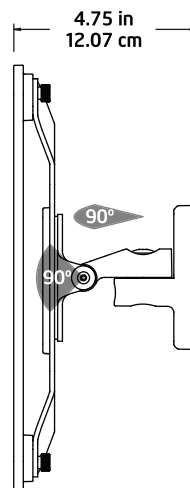
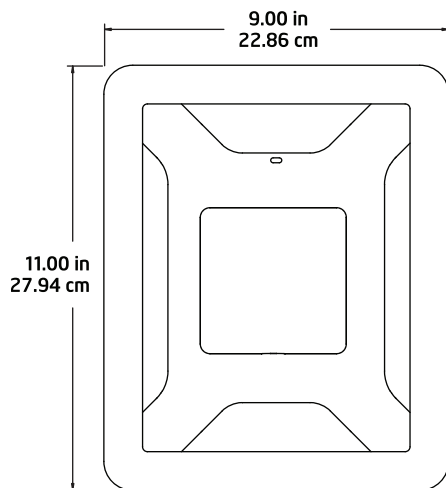
Tilt Motion



Pan Motion



90° Rotation



### Features

- Allows movement off the wall while under 5 inches
- View landscape or portrait with 90° rotation
- Great for off-angle use (80°+ landscape / 90°+ portrait)
- Tilt and Pan motions for adjustability
- Simple mounting

**MSRP \$125**

