

Vantage Point's Small Swing Mount

Free your display from the wall.

- Swinging arm allows clean corner mounting
- Able to mount below cabinets or on desks
- Simple, single stud installation
- "Picture Frame" Leveling
- Included hole pattern expansion adapters
- Multiple adjustment options (Dynamic 4-Axis Movement)
 - tilt, pan, swing (10.6 in, 27.03 cm), level

Box Dimensions



Dimensions
10.3 x 6 x 3.5 in
26 x 15.2 x 8.9 cm



Weight
3.2 lbs | 1.4 kg

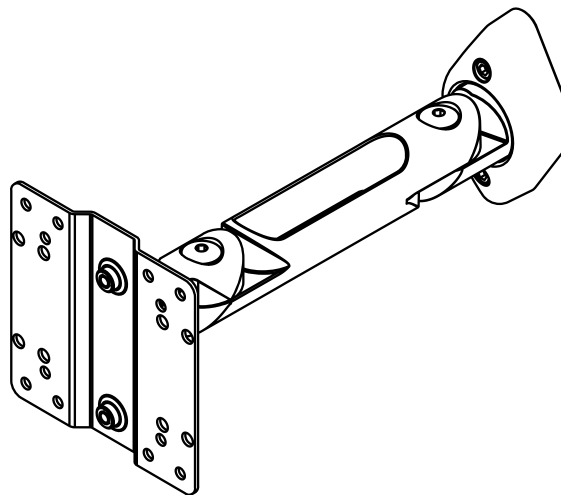
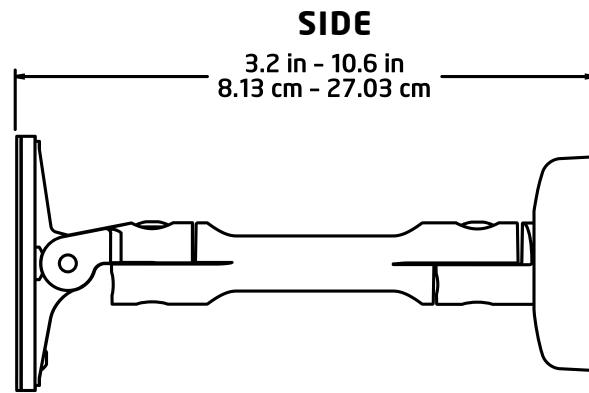
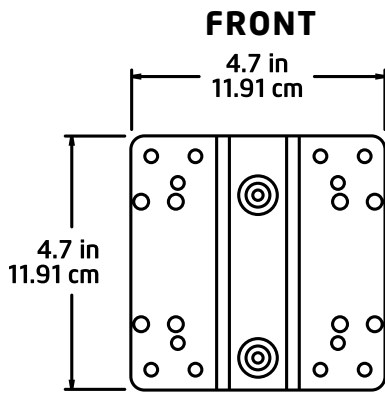
Master Pack (4/box)



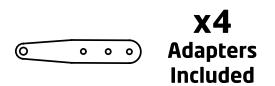
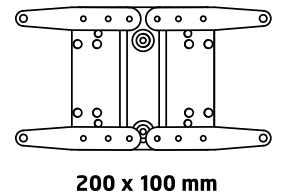
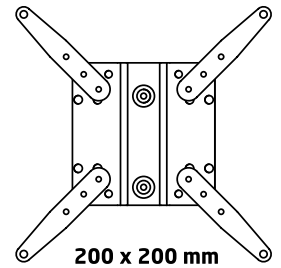
Dimensions
14 x 6.5 x 10.8 in
35.6 x 16.5 x 27.3 cm



Weight
13.3 lbs | 6 kg



200mm Adapters



Product Specifications



Screen Size Range
10 - 26 in | 60 - 107 cm



Max Weight Load
40 lbs | 18 kg



Hole Pattern Range
75 x 75 - 200 x 200 mm