

Vantage Point's Medium Tilt Mount

A heritage of mounting knowledge, neatly refined.

- Dynamic tilt, up to 15°
- Wide range of compatible hole patterns
- Sturdy, double stud installation with lateral wall shift
- Bottom kick out for easier wire access
- Easy to install, light aluminum rail assembly
- Locking ability, for secure installations

Box Dimensions



Dimensions
23.5 x 8 x 2.5 in
59.7 x 20.3 x 6.4 cm



Weight
9.3 lbs | 4.2 kg

Master Pack (2/box)

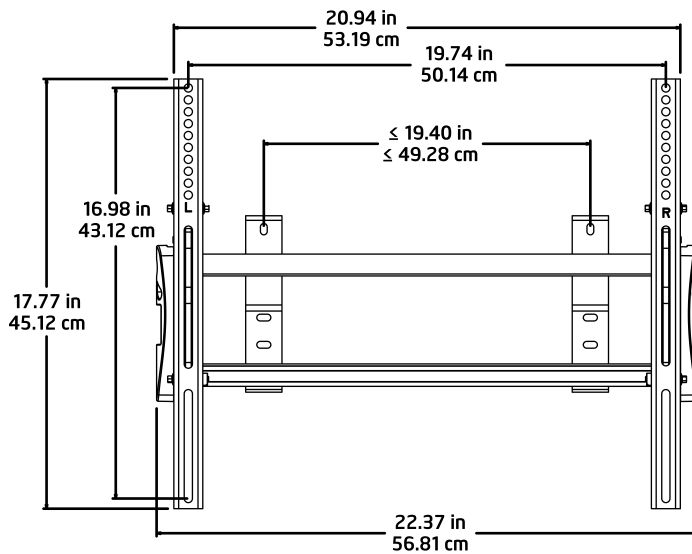


Dimensions
5.5 x 8.3 x 24 in
14 x 21 x 61 cm



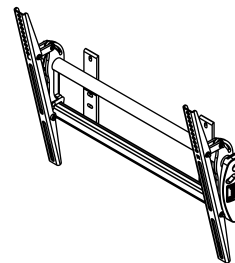
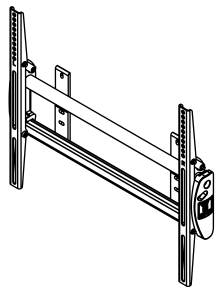
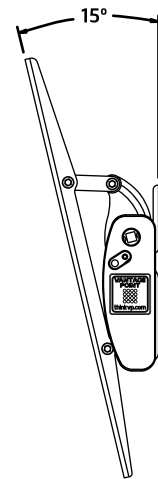
Weight
18.5 lbs | 8.4 kg

FRONT



SIDE

2.67 in
6.77 cm



Product Specifications



Screen Size Range
24 - 47 in | 60 - 119 cm



Max Weight Load
80 lbs | 37 kg



Hole Pattern Range
100 x 100 - 400 x 400 mm