

Vantage Point's Large Extend Mount

Full versatility, minimal footprint.

- Pulls out and retracts to own footprint
- Wide range of compatible hole patterns
- Strong, double stud installation
- "Picture Frame" Leveling and Lateral Wall Shift
- Includes Wire Mgmt. Clips
- Multiple adjustment options
 - tilt (15°), pan, swing, extend (22.8 in, 50.8 cm), level

Box Dimensions

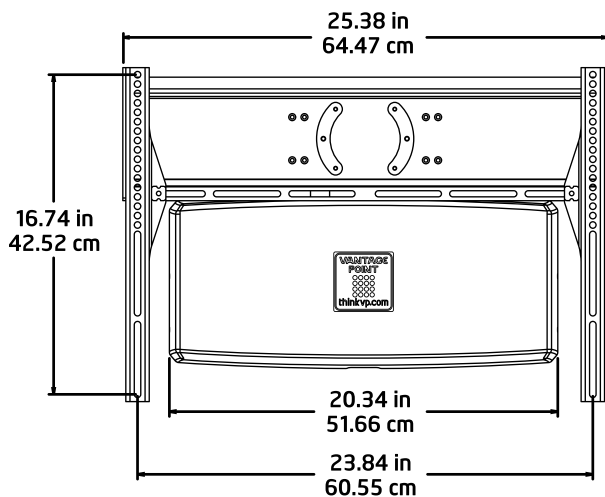


Dimensions
28.6 x 19.8 x 5.2 in
72.6 x 50.3 x 13.2 cm

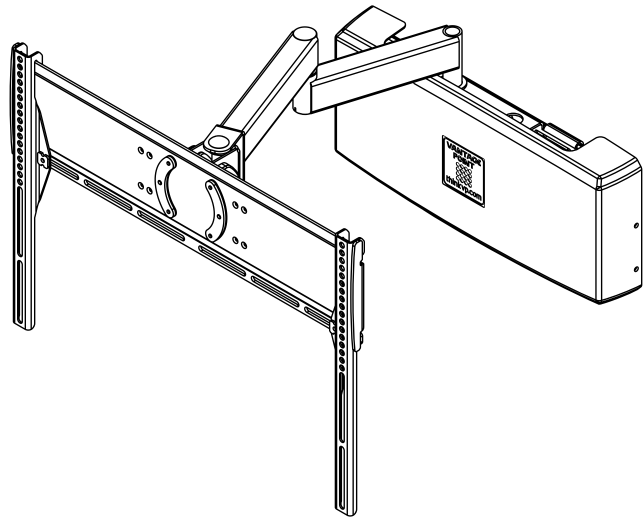
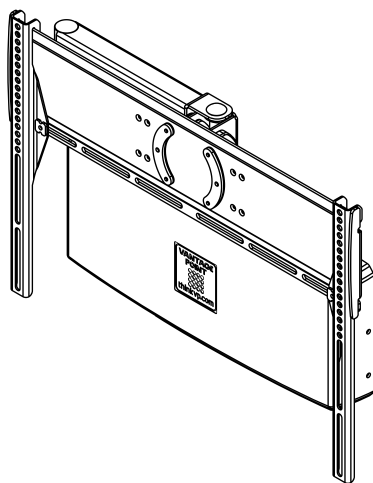
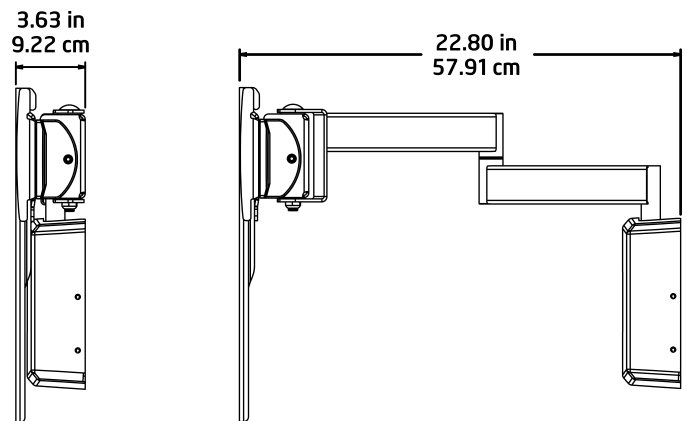


Weight
35 lbs | 15.9 kg

FRONT



SIDE



Product Specifications



Screen Size Range
37 - 58 in | 94 - 147 cm



Max Weight Load
120 lbs | 55 kg



Hole Pattern Range
200 x 100 - 600 x 400 mm