

Vantage Point's Small Flat Mount

Simple, clean, and secure mounting.

- Easily mount just one inch from the wall
- Simple, single stud installation
- Included hole pattern expansion adapters

Box Dimensions



Dimensions
7.5 x 6 x 1.5 in
19.1 x 15.2 x 3.8 cm



Weight
2.6 lbs | 1.2 kg

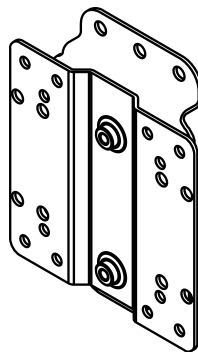
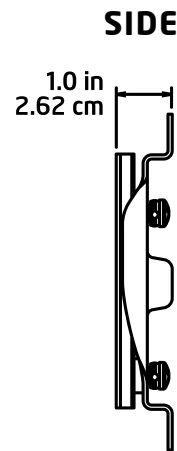
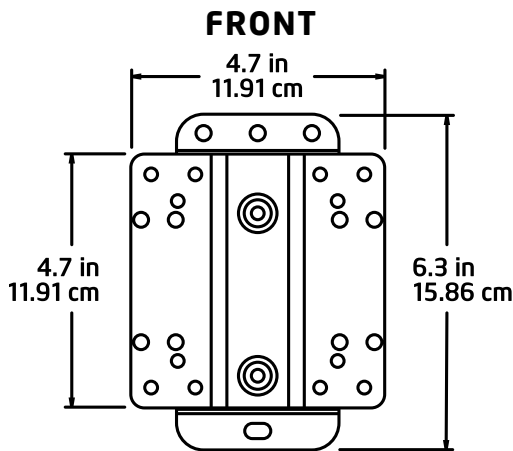
Master Pack (4/box)



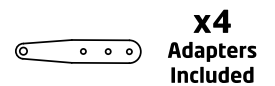
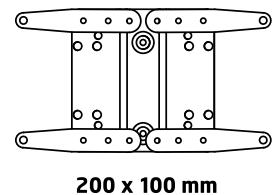
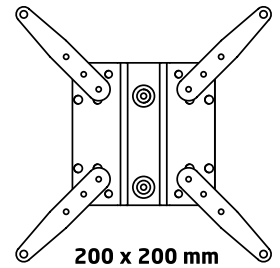
Dimensions
8 x 6.5 x 6.5 in
20.3 x 16.5 x 16.5 cm



Weight
11 lbs | 5 kg



200mm Adapters



Product Specifications



Screen Size Range
10 - 26 in | 60 - 107 cm



Max Weight Load
40 lbs | 18 kg



Hole Pattern Range
75 x 75 - 200 x 200 mm