

## Vantage Point's Large Tilt Mount

*A heritage of mounting knowledge, neatly refined.*

- Dynamic tilt, up to 15°
- Wide range of compatible hole patterns
- Sturdy, double stud installation with lateral wall shift
- Bottom kick out for easier wire access
- Easy to install, light aluminum rail assembly
- Locking ability, for secure installations

### Box Dimensions



**Dimensions**  
32.3 x 8 x 2.5 in  
81.9 x 20.3 x 6.4 cm



**Weight**  
9.5 lbs | 4.3 kg

### Master Pack (2/box)

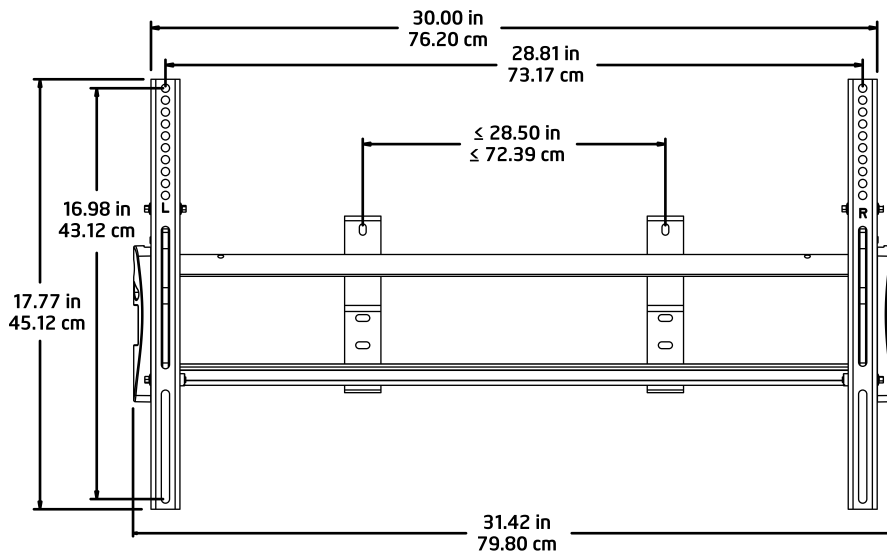


**Dimensions**  
5.5 x 8.3 x 32.8 in  
14 x 21 x 83.2 cm



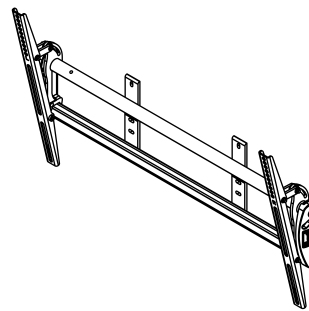
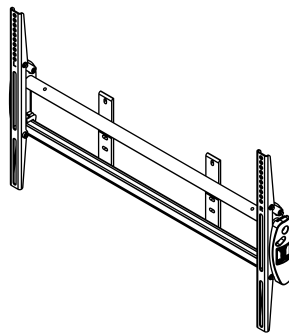
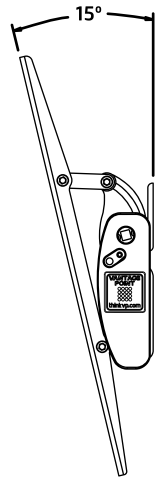
**Weight**  
19 lbs | 8.6 kg

**FRONT**



**SIDE**

2.67 in  
6.77 cm



## Product Specifications



**Screen Size Range**  
37 - 58 in | 94 - 147 cm



**Max Weight Load**  
120 lbs | 55 kg



**Hole Pattern Range**  
200 x 100 - 600 x 400 mm