

Vantage Point's Large Multi-Angle Mount

Maximum functionality, minimum cost.

- Supports multiple tilt angles, from 0 - 10°
- Wide range of compatible hole patterns
- Sturdy, double stud installation
- "Low Profile" mode for slimmer mounting
- Easy to install

Box Dimensions



Dimensions
4.3 x 27.3 x 2.8 in
10.8 x 69.2 x 7 cm



Weight
8.8 lbs | 4 kg

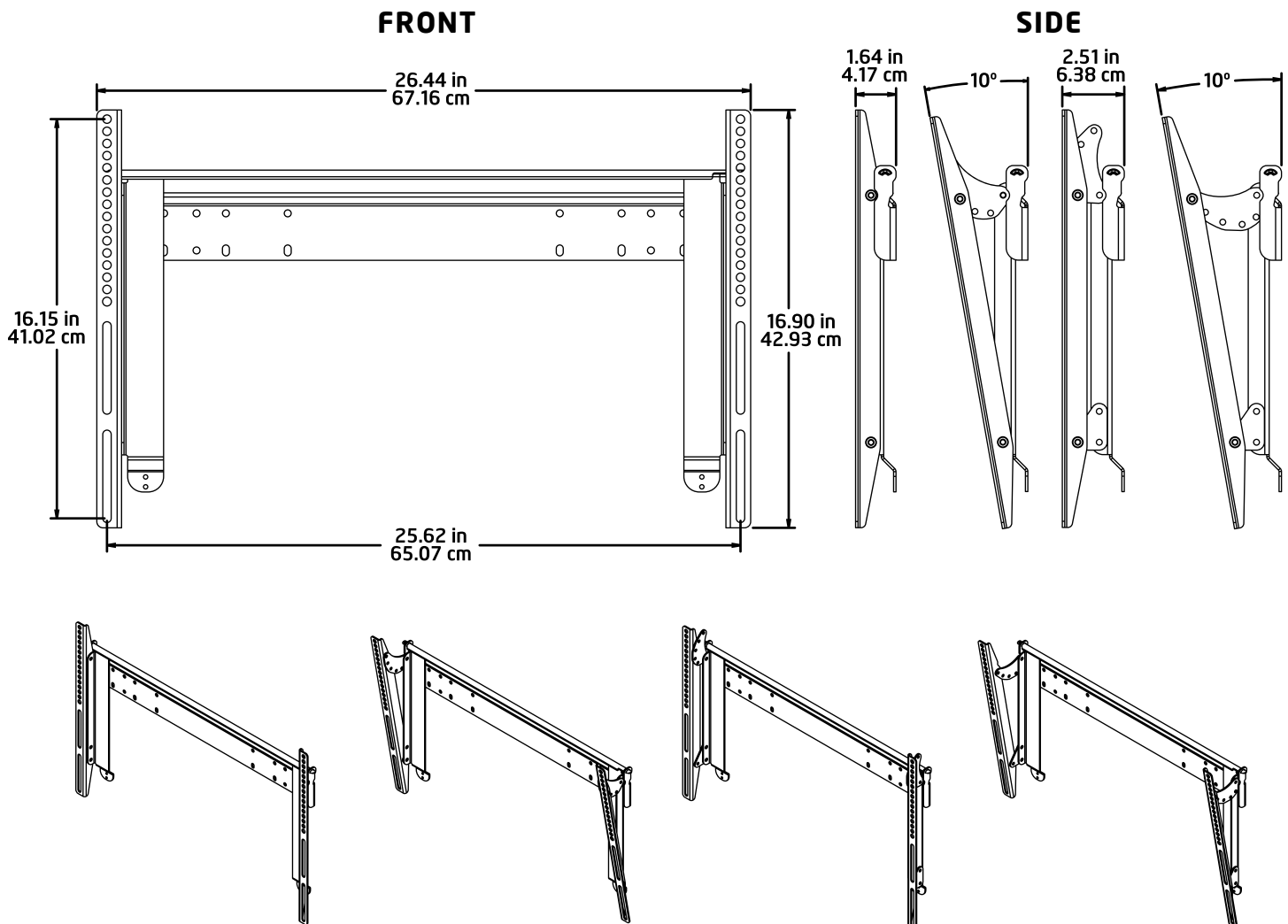
Master Pack (4/box)



Dimensions
4.8 x 12 x 27.8 in
12.2 x 30.5 x 70.5 cm



Weight
35.3 lbs | 16 kg



Product Specifications



Screen Size Range
37 - 58 in | 94 - 147 cm



Max Weight Load
120 lbs | 55 kg



Hole Pattern Range
200 x 100 - 600 x 400 mm