

Vantage Point's Small Extend Mount

Full versatility, minimal footprint.

- Pulls out and retracts to own footprint, good for corners
- Able to mount below cabinets or on desks
- Simple, single stud installation
- "Picture Frame" Leveling
- Included hole pattern expansion adapters
- Multiple adjustment options (Dynamic 4-Axis Movement)
 - tilt, pan, swing, extend (14.8 in, 37.59 cm), level

Box Dimensions



Dimensions
10.8 x 6 x 3.5 in
27.3 x 15.2 x 8.9 cm



Weight
4 lbs | 1.8 kg

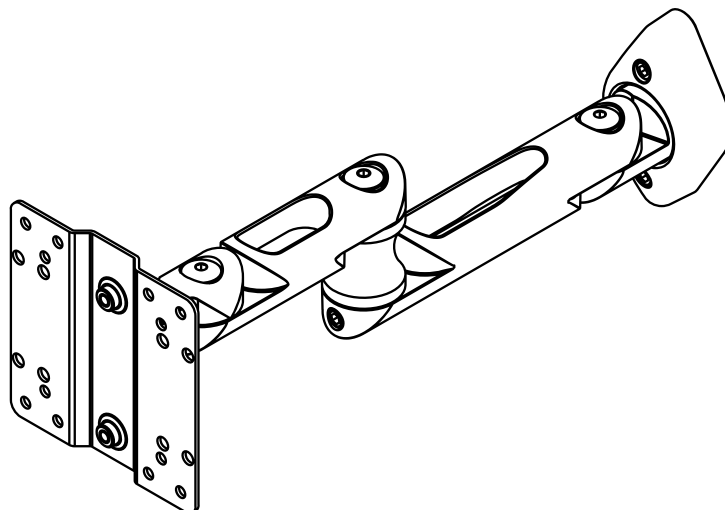
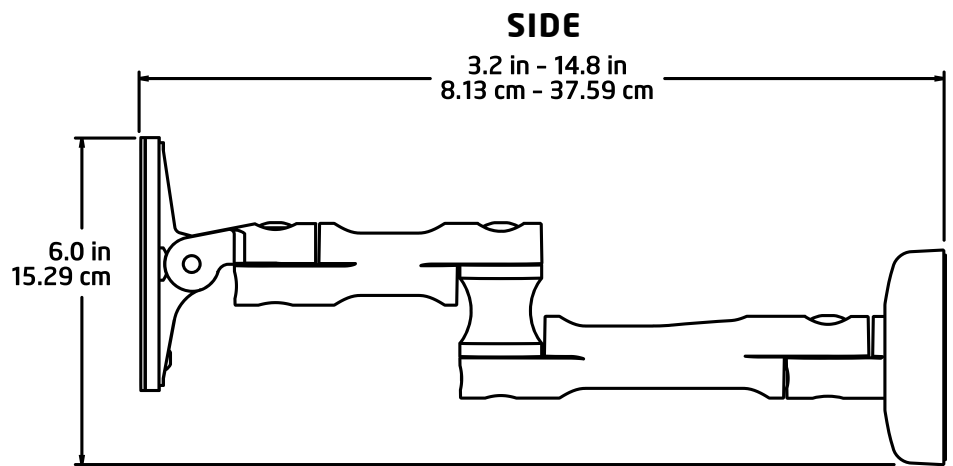
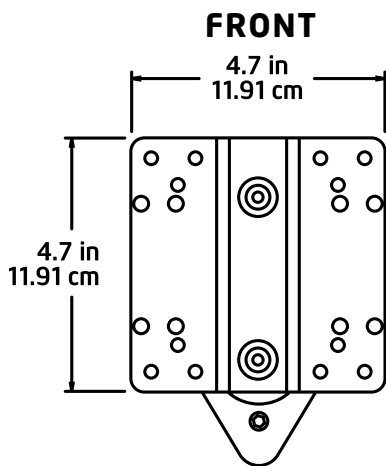
Master Pack (4/box)



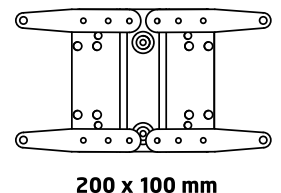
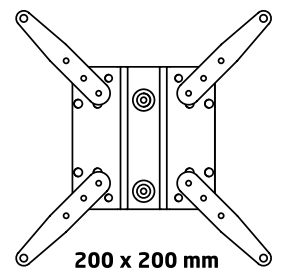
Dimensions
14 x 6.5 x 11.3 in
35.6 x 16.5 x 28.6 cm



Weight
17 lbs | 7.7 kg



200mm Adapters



Product Specifications



Screen Size Range
10 - 26 in | 60 - 107 cm



Max Weight Load
40 lbs | 18 kg



Hole Pattern Range
75 x 75 - 200 x 200 mm