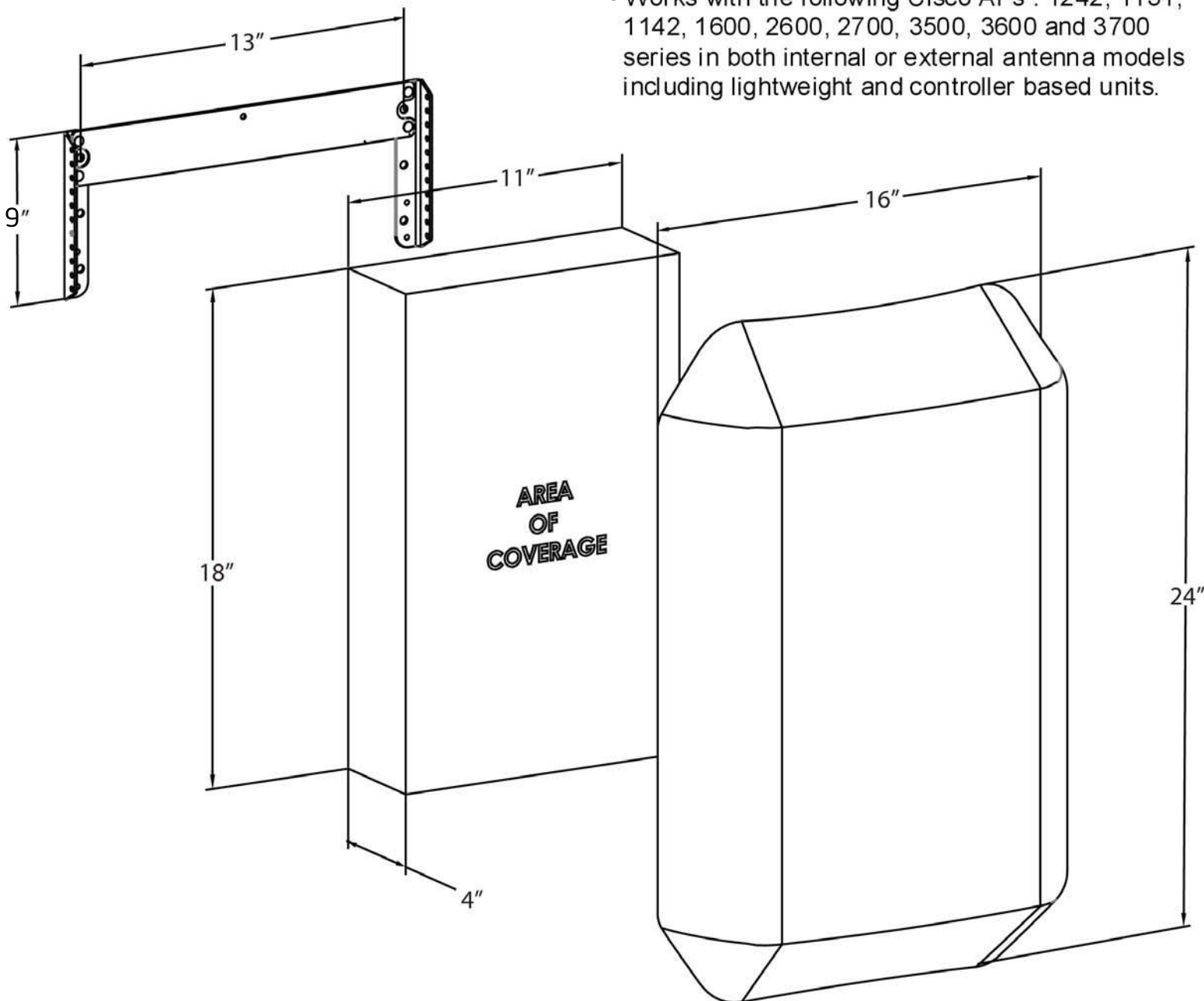


Vantage Point Access Point Cover

- Slot tempered Brackets for easy compression fit.
- Versatile mounting (wall, ceiling...any flat surface).
- Quick retrofit or integrate into new construction.
- Zero signal corruption or degradation.
- Made of easily paintable material.
- Works with the following Cisco APs : 1242, 1131, 1142, 1600, 2600, 2700, 3500, 3600 and 3700 series in both internal or external antenna models including lightweight and controller based units.



VENTING BOTH
TOP AND BOTTOM

PRODUCT SPECIFICATIONS

VANTAGE POINT PRODUCTS CORP, P.O. BOX 2485,
SANTA FE SPRINGS, CA. 90670

thinkvp.com