



Box Dimensions



Dimensions
11 x 8 x 1.75 in
279.4 x 203.2 x 44.5 mm



Weight
1.2 lbs | 0.5 kg



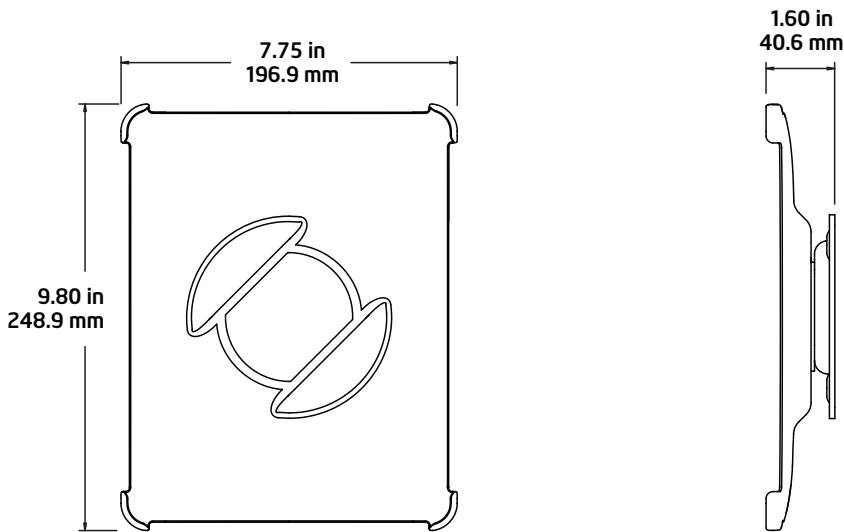
VESA® Compatible



Mounts to J-Box



90° Rotation



Features

- Only 1.6 inches off the wall
- View landscape or portrait with 90° rotation
- VESA® compatible, 100 mm pattern
- Mounts on a J-Box
- Mount directly to the wall or a stud

MSRP \$80

