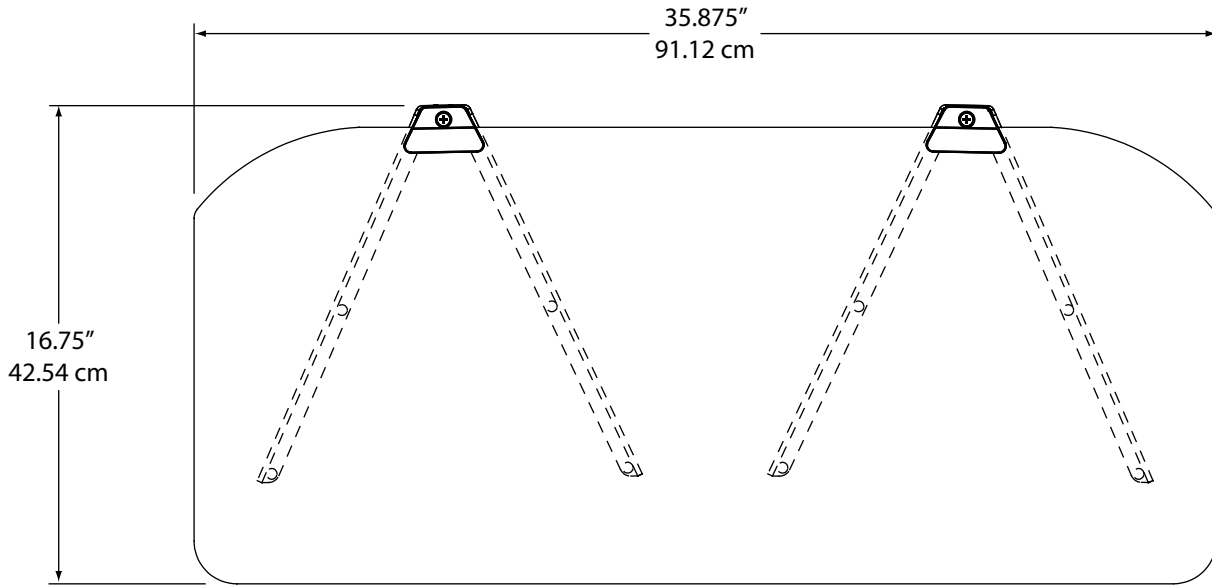


E216S DOUBLE V-SHELF BRACKET SPECIFICATION SHEET

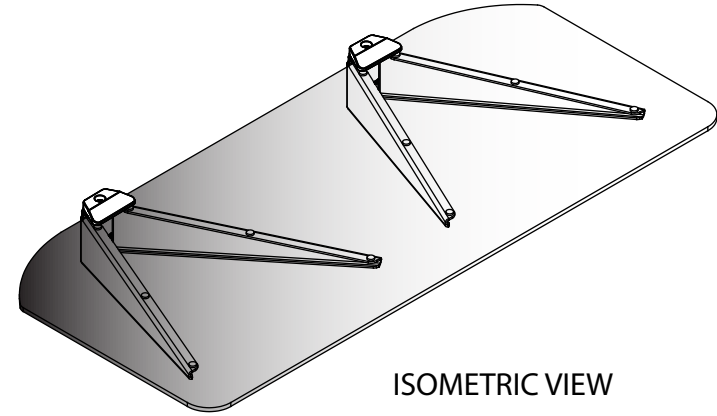


the **ēvō** system™

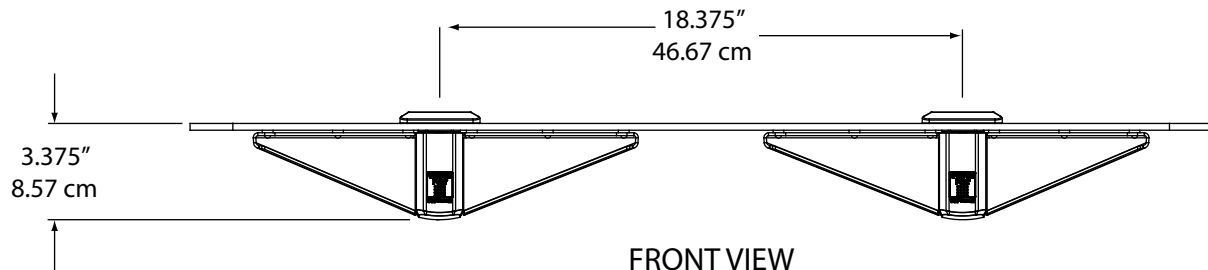
MAX TOTAL WEIGHT 100 LBS / 45.35 KG



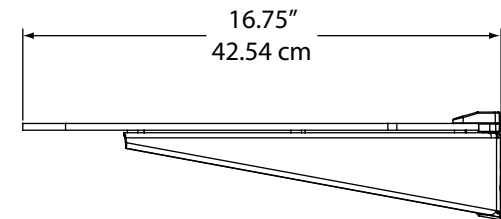
TOP VIEW



ISOMETRIC VIEW



FRONT VIEW



SIDE VIEW

Vantage Point Products Corp. 10233 Palm Drive Santa Fe Springs, CA 90670
USA: 800.582.9595 Canada: 905.607.9994 Europe: 31.72.581.6056
Email: cons-serv@vanptc.com Website: www.vanptc.com