

Vantage Point's Small Tilt Mount

Control your viewing angle and screen glare.

- Full, dynamic tilting helps reduce screen glare
- Rotate 90° for Pan functionality (instead of tilt)
- Simple, single stud installation
- "Picture Frame" Leveling
- Included hole pattern expansion adapters
- Multiple adjustment options (Dynamic 4-Axis Movement)
 - tilt, level

Box Dimensions



Dimensions
8.4 x 6 x 3.5 in
21.3 x 15.2 x 8.9 cm



Weight
2.3 lbs | 1 kg

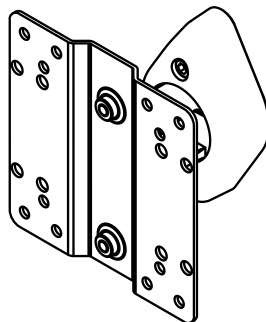
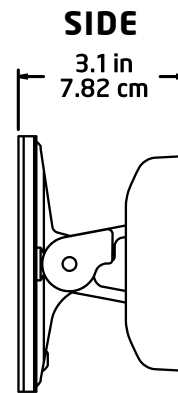
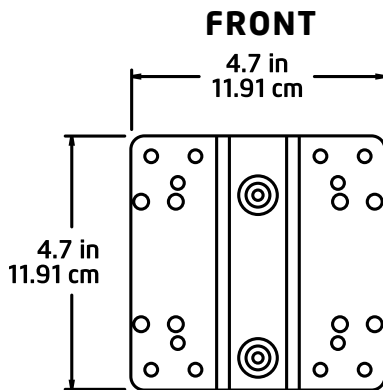
Master Pack (4/box)



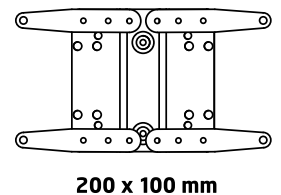
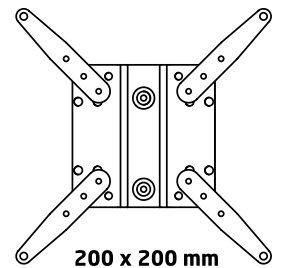
Dimensions
14 x 6.5 x 9 in
35.6 x 16.5 x 22.9 cm



Weight
9.5 lbs | 4.3 kg



200mm Adapters



Product Specifications



Screen Size Range
10 - 26 in | 60 - 107 cm



Max Weight Load
40 lbs | 37 kg



Hole Pattern Range
75 x 75 - 200 x 200 mm