

Vantage Point's X-Large Flat Mount

Simple, clean, secure.

- Elegant mounting for your TV
- Wide range of compatible hole patterns
- Installs easily
- Double or triple stud installation
- Easily center your TV in your space
- Locking ability, for secure installations

Box Dimensions



Dimensions
4.3 x 40.3 x 2.5 in
10.8 x 102.2 x 6.4 cm



Weight
14.5 lbs | 6.6 kg

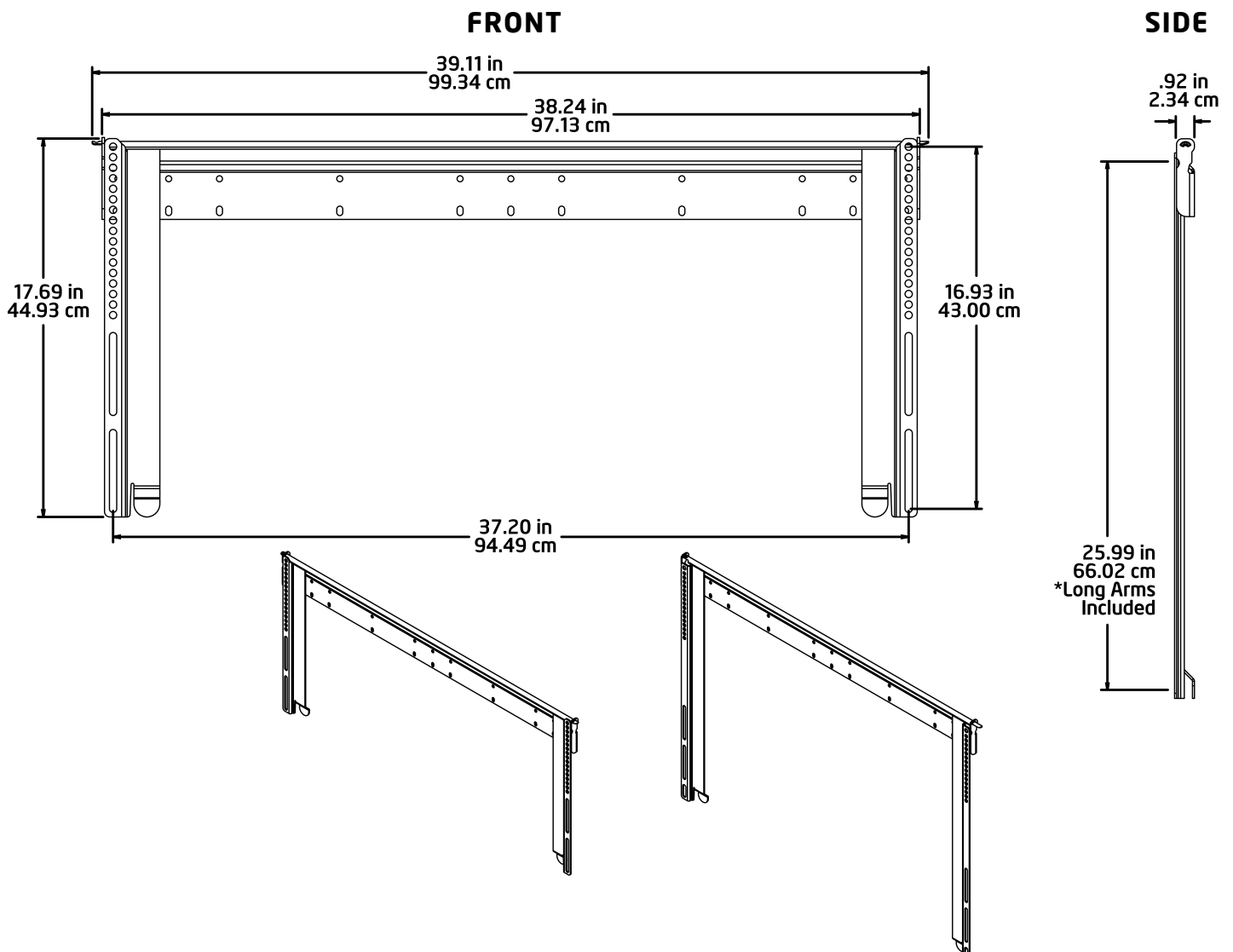
Master Pack (2/box)



Dimensions
4.8 x 5.5 x 41 in
12.1 x 14 x 104.1 cm



Weight
29 lbs | 13.2 kg



Product Specifications



Screen Size Range
47 - 73 in | 119 - 185 cm



Max Weight Load
160 lbs | 73 kg



Hole Pattern Range
200 x 200 - 800 x 650 mm