



Box Dimensions



Dimensions
 12.5 x 12.5 x 4.75 in
 317.5 x 317.5 x 120.7 mm



Weight
 4.25 lbs | 1.9 kg



Tilt Motion



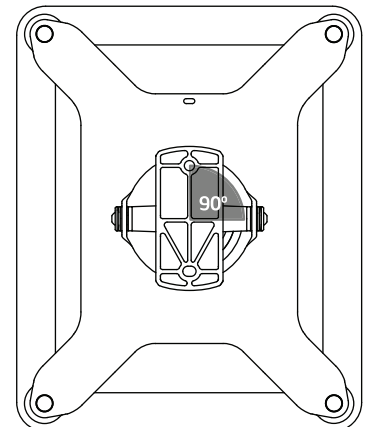
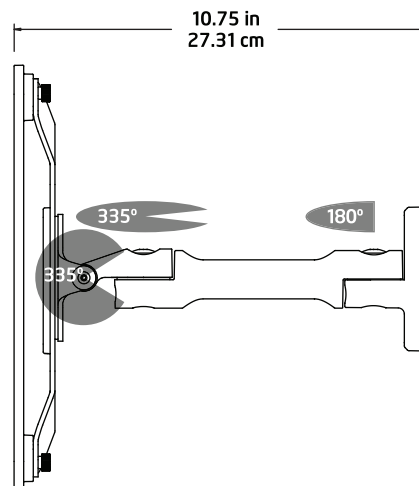
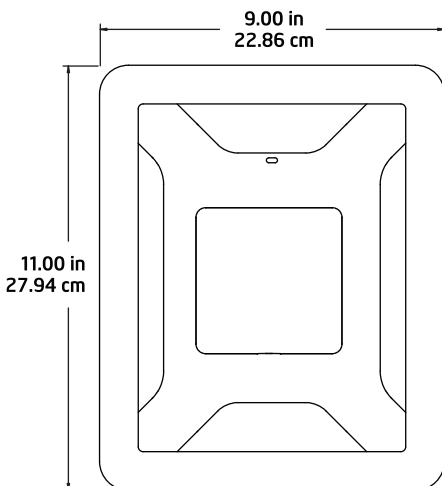
Pan Motion



Swing Motion



90° Rotation



Features

- Pulls out up to 10.75 inches off the wall
- View landscape or portrait with 90° rotation
- Great for corners and under cabinets
- Tilt, Pan, and Swing motion for adjustability
- Simple mounting

MSRP \$150

