



Box Dimensions



Dimensions
12.5 x 12.5 x 4.75 in
317.5 x 317.5 x 120.7 mm



Weight
6.0 lbs | 2.7 kg



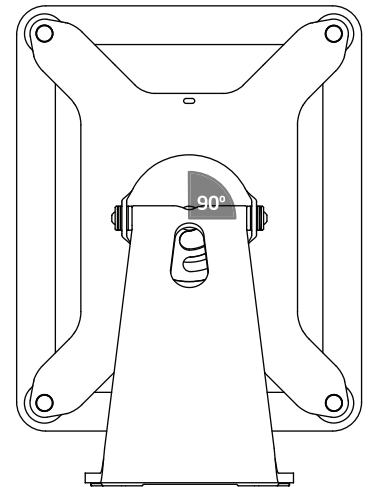
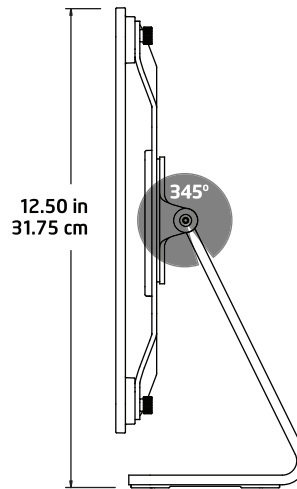
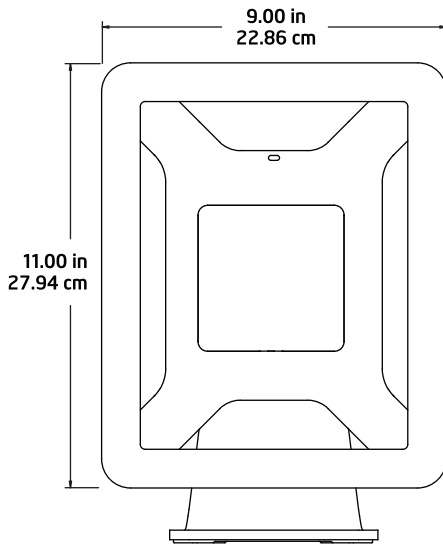
Unlimited Tilt Motion



90° Rotation



Stable Stand



Features

- Stable stand prevent tip-overs
- View landscape or portrait with 90° rotation
- Wiring pass-through for a clean look
- Unlimited Tilt for versatile viewing
- Non-marring feet don't scratch surfaces

MSRP \$150

