

Vantage Point's Medium Multi-Angle Mount

Maximum functionality, minimum cost.

- Supports multiple tilt angles, from 0 - 10°
- Wide range of compatible hole patterns
- Sturdy, double stud installation
- "Low Profile" mode for slimmer mounting
- Easy to install

Box Dimensions



Dimensions
4.3 x 23.3 x 2.8 in
10.8 x 59.1 x 7 cm



Weight
7.9 lbs | 3.6 kg

Master Pack (4/box)

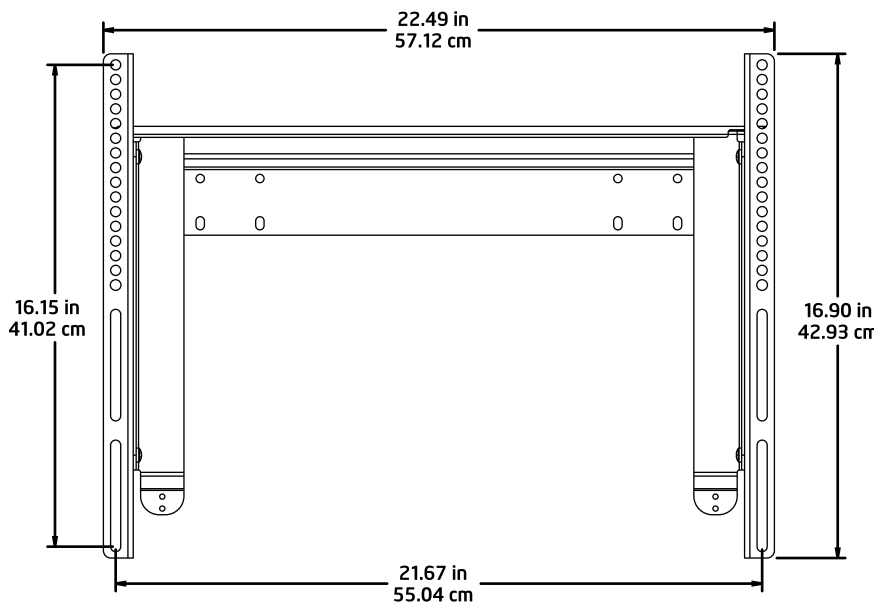


Dimensions
4.8 x 12 x 23.8 in
12.2 x 30.5 x 60.3 cm

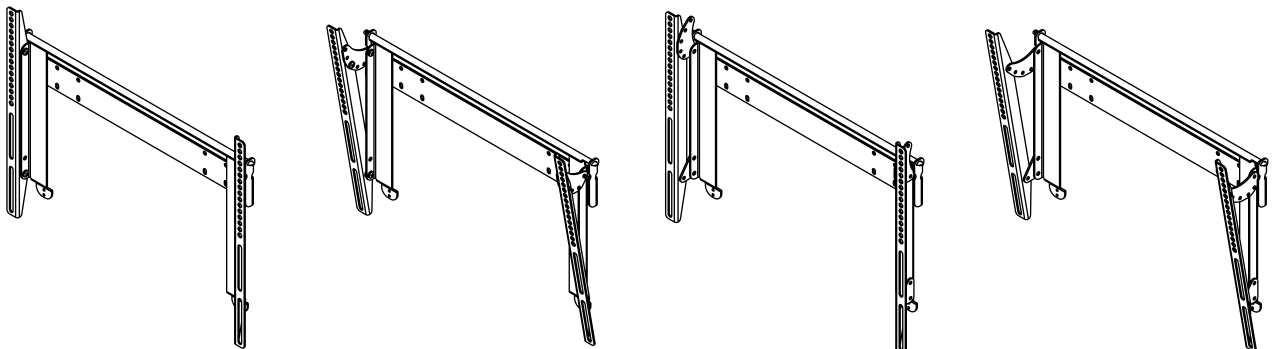
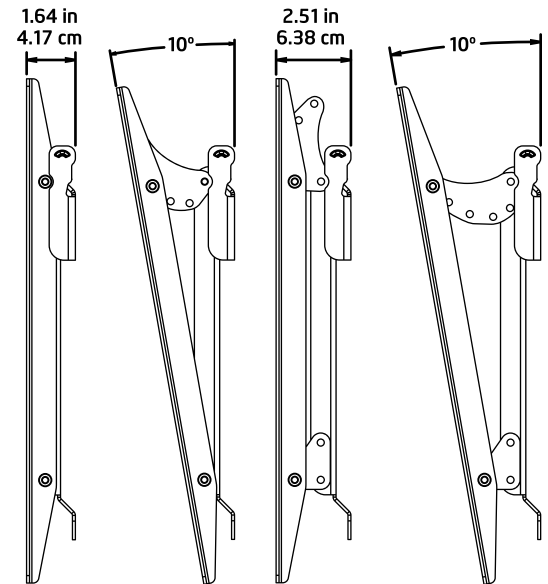


Weight
31.4 lbs | 14.2 kg

FRONT



SIDE



Product Specifications



Screen Size Range
24 - 47 in | 60 - 119 cm



Max Weight Load
80 lbs | 37 kg



Hole Pattern Range
100 x 100 - 400 x 400 mm