

Vantage Point's Small Pan Mount

Adjust your TV or Monitor in every direction.

- Full vertical and horizontal adjustment
- Perfect for off-angled viewing
- Simple, single stud installation
- "Picture Frame" Leveling
- Included hole pattern expansion adapters
- Multiple adjustment options (Dynamic 4-Axis Movement)
 - tilt, pan, level

Box Dimensions



Dimensions
8.4 x 6 x 3.5 in
21.3 x 15.2 x 8.9 cm



Weight
2.6 lbs | 1.2 kg

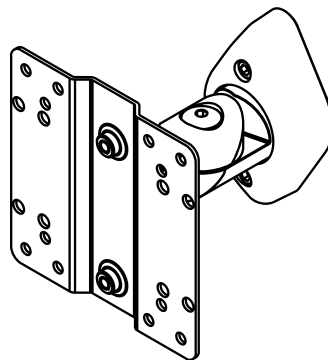
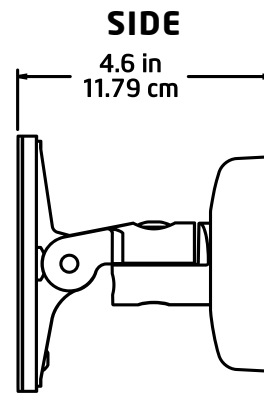
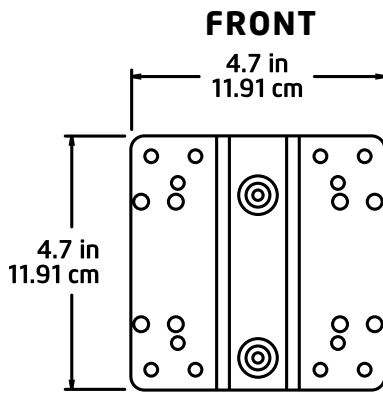
Master Pack (4/box)



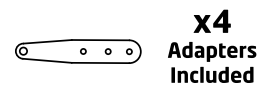
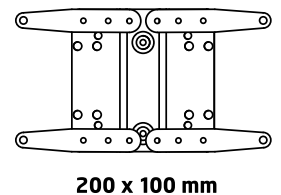
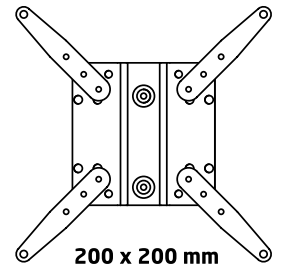
Dimensions
14 x 6.5 x 9 in
35.6 x 16.5 x 22.9 cm



Weight
10.8 lbs | 4.9 kg



200mm Adapters



Product Specifications



Screen Size Range
10 - 26 in | 60 - 107 cm



Max Weight Load
40 lbs | 18 kg



Hole Pattern Range
75 x 75 - 200 x 200 mm