



Box Dimensions



Dimensions
12.25 x 12.5 x 5 in
311.2 x 317.5 x 127 mm



Weight
3.4 lbs | 1.5 kg



Tilt Motion



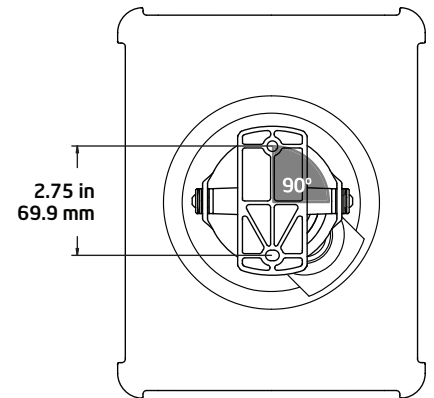
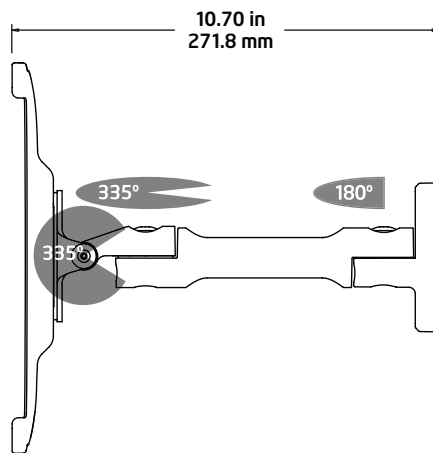
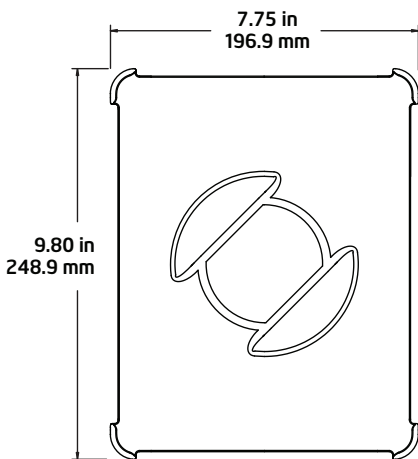
Pan Motion



Swing Motion



90° Rotation



Features

- Pulls out up to 10.7 inches off the wall
- View landscape or portrait with 90° rotation
- Great for corners and under cabinets
- Tilt, Pan, and Swing motion for adjustability
- Simple mounting

MSRP \$100

