

Vantage Point's X-Large Extend Mount

Full versatility, minimal footprint.

- Pulls out and retracts to own footprint
- Wide range of compatible hole patterns
- Strong, double stud installation
- "Picture Frame" Leveling and Lateral Wall Shift
- Includes 650 mm Arms and Wire Mgmt. Clips
- Multiple adjustment options
 - tilt (15°), pan, swing, extend (26.8 in, 60.96 cm), level

Box Dimensions

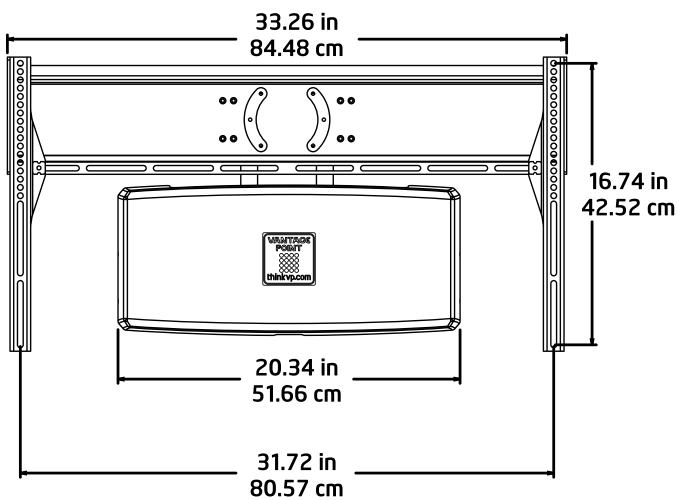


Dimensions
36.2 x 20.5 x 5.2 in
91.9 x 52.1 x 13.2 cm

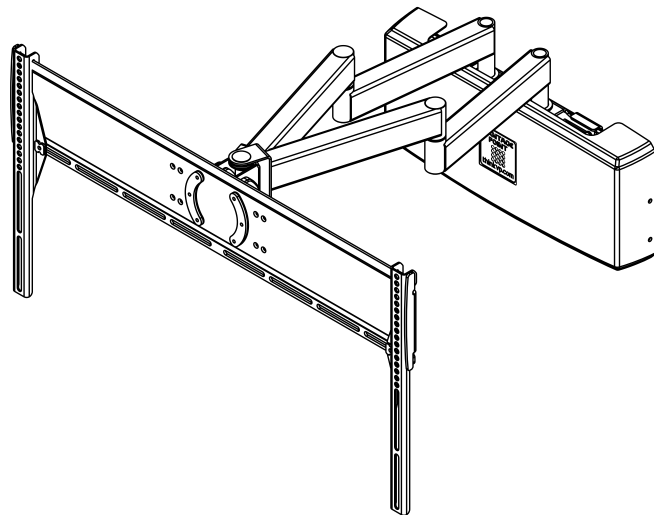
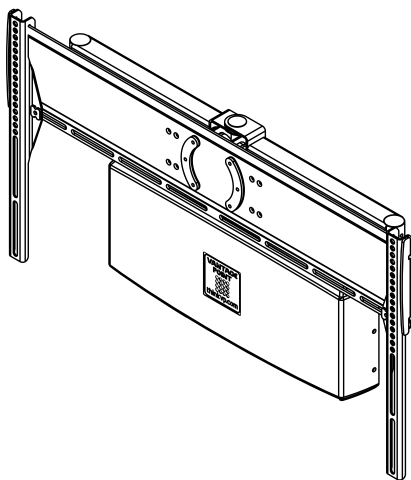
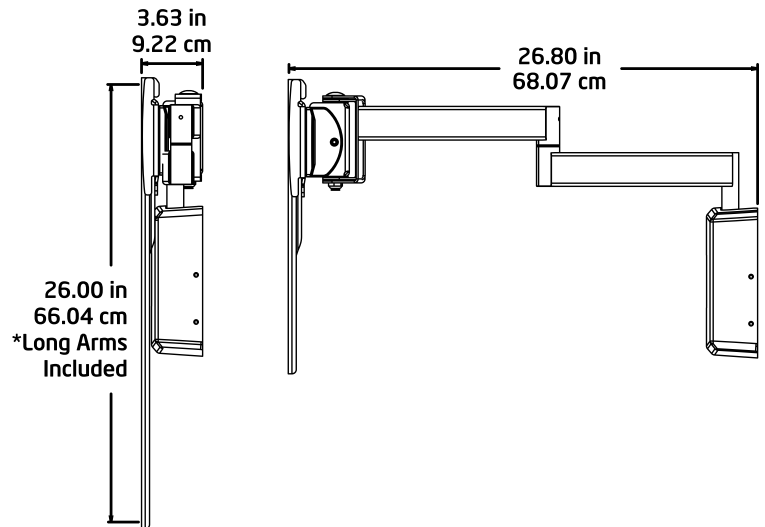


Weight
48.3 lbs | 21.9 kg

FRONT



SIDE



Product Specifications



Screen Size Range
47 - 73 in | 119 - 185 cm



Max Weight Load
160 lbs | 73 kg



Hole Pattern Range
200 x 200 - 800 x 650 mm