

Vantage Point's Large Low Profile Mount

Just shy of not even existing.

- Only half an inch from the wall
- Elegant mounting for your TV
- Wide range of compatible hole patterns
- Installs easily
- Sturdy, double stud installation
- Safety tabs prevent accidental bump offs

Box Dimensions



Dimensions
3.8 x 26.3 x 1.8 in
9.5 x 66.7 x 4.4 cm



Weight
6.5 lbs | 2.9 kg

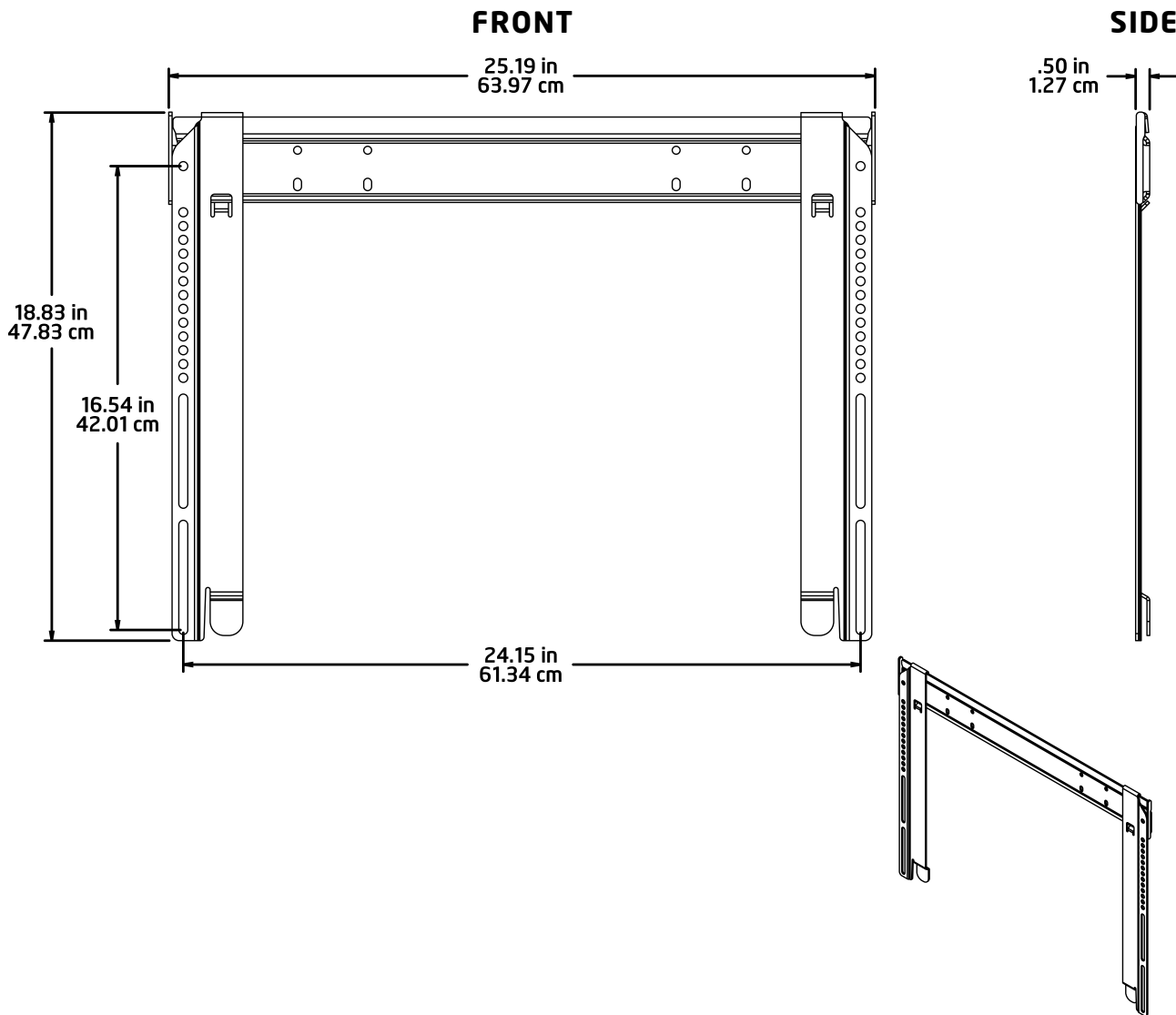
Master Pack (4/box)



Dimensions
4 x 7.3 x 27 in
10.2 x 18.4 x 68.6 cm



Weight
25.9 lbs | 11.7 kg



Product Specifications



Screen Size Range
37 - 58 in | 94 - 147 cm



Max Weight Load
120 lbs | 55 kg



Hole Pattern Range
200 x 100 - 600 x 400 mm