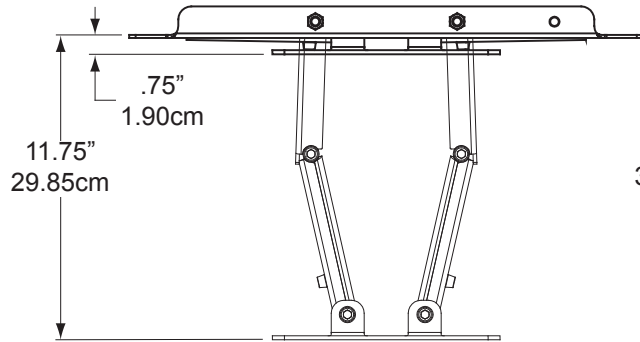


# E52A ARTICULATING FLAT PANEL MOUNT SPECIFICATION SHEET

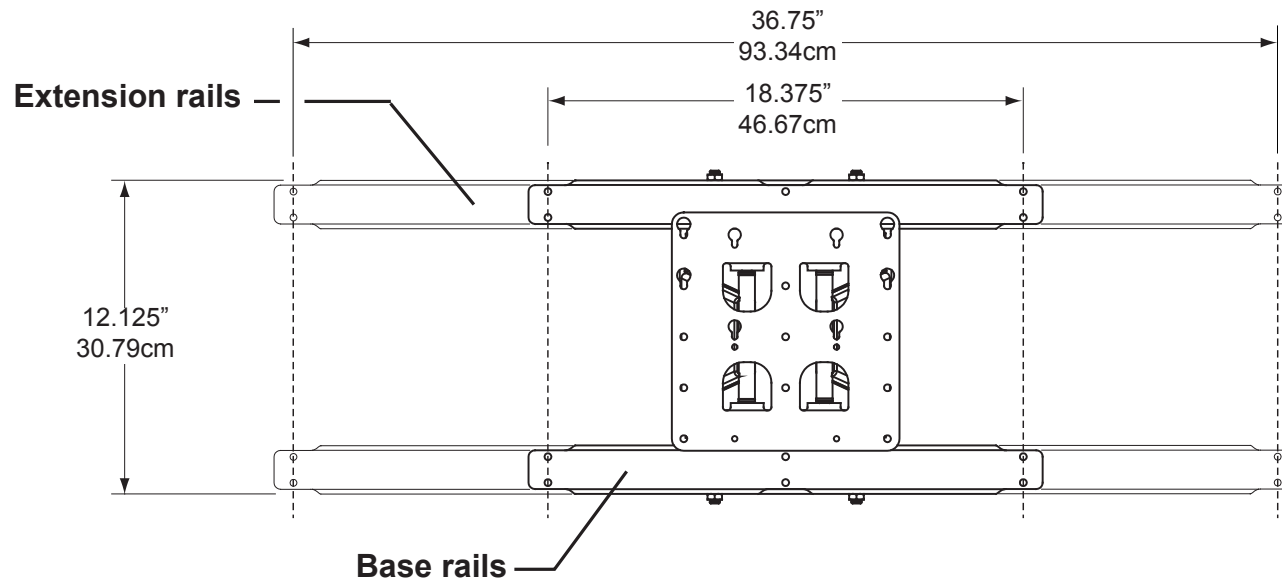
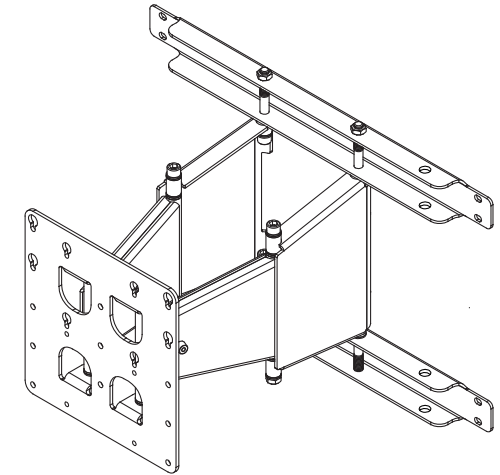
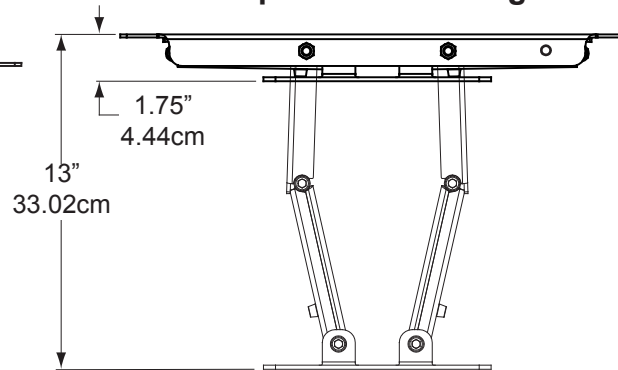
MAX TOTAL WEIGHT 150 LBS / 68.03 KG

**VANTAGE  
POINT**  
Possibilities are mounting.™

Option: 1 Mounting



Option: 2 Mounting

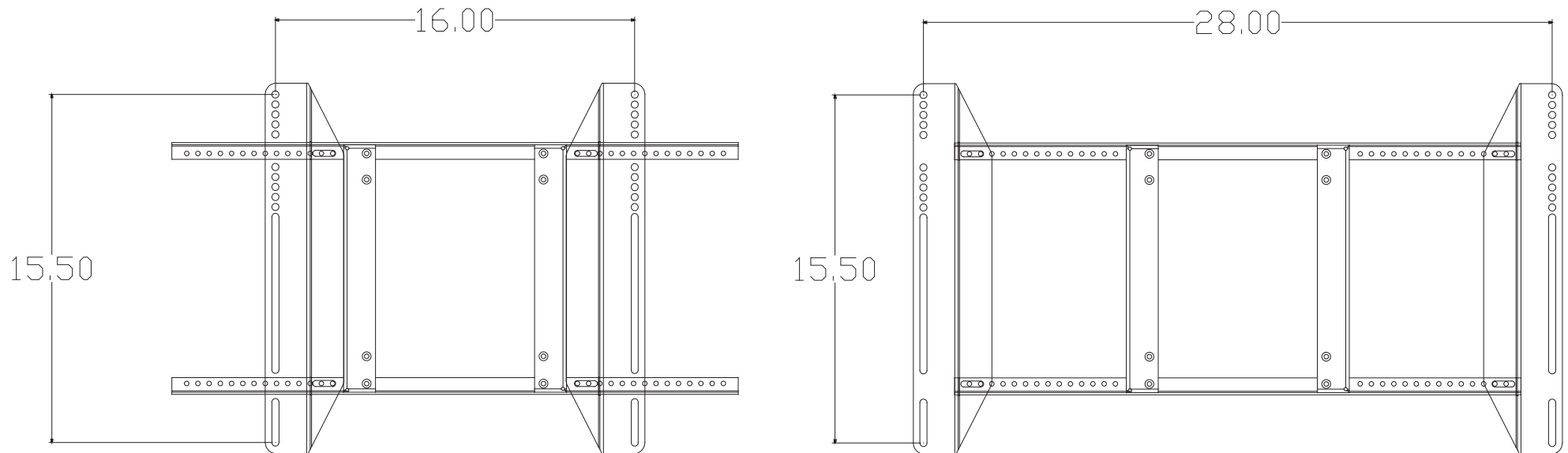


Vantage Point Products Corp. 10233 Palm Drive Santa Fe Springs, CA 90670  
USA: 800.582.9595 Canada: 888.876.6786 Europe: 31.72.581.6056  
Email: [cons-serv@vanptc.com](mailto:cons-serv@vanptc.com) Website: [www.vanptc.com](http://www.vanptc.com)

# ADP42 200MM - Non VESA / Plasma Adaptor Specification Sheet



**MAX TOTAL WEIGHT 100 LBS / 37.324 KG**



***Designed to adapt from our current VESA 200mm Line to LCD Monitors and Flat Panels with hole patterns ranging in the dimensions pictured above. We have found that this adaptor is quite universal and allows the use of Flat panels in the size range up to 42". This unit will also work with some Flat Panel models up to 50" , provided they do not exceed the recommended weight load of 100lbs.***

**Vantage Point Products Corp. 10233 Palm Drive Santa Fe Springs, CA 90670  
USA: 800.582.9595 Canada: 905.607.9994 Europe: 31.72.581.6056  
Email: [cons-serv@vanptc.com](mailto:cons-serv@vanptc.com) WebSite: [www.vanptc.com](http://www.vanptc.com)**