



Box Dimensions



Dimensions
12.25 x 9.25 x 2.0 in
311.2 x 235.0 x 50.8 mm



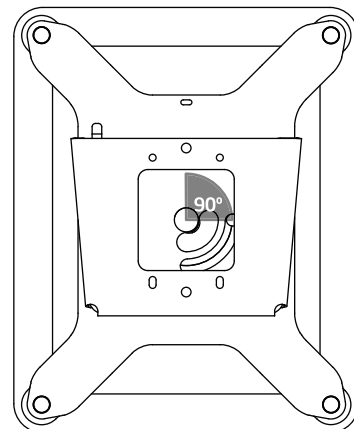
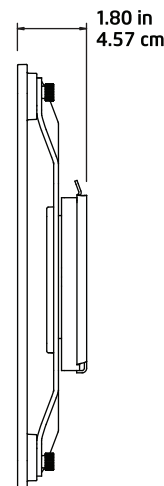
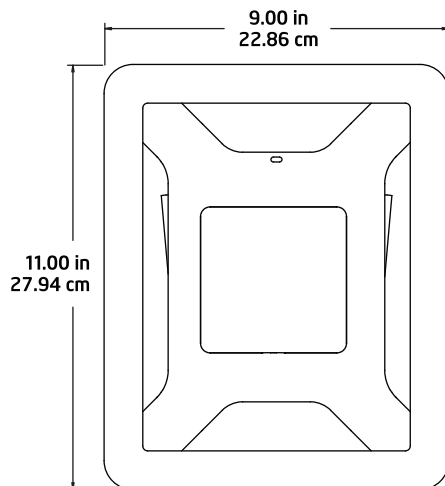
Weight
2.8 lbs | 1.3 kg



Mounts to J-Box



90° Rotation



Features

- Under 2 inches off the wall
- View landscape or portrait with 90° rotation
- Slide in and out of the wall mount (can be locked)
- Mounts on a J-Box
- Mount directly to the wall or a stud

MSRP \$110

