

# E30U 10" - 30" UNIVERSAL LCD MOUNT SPECIFICATION SHEET

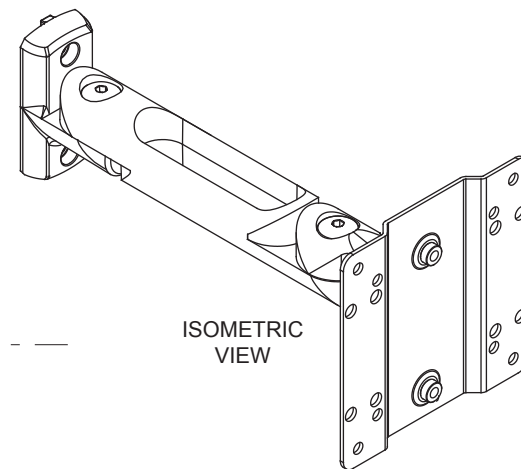
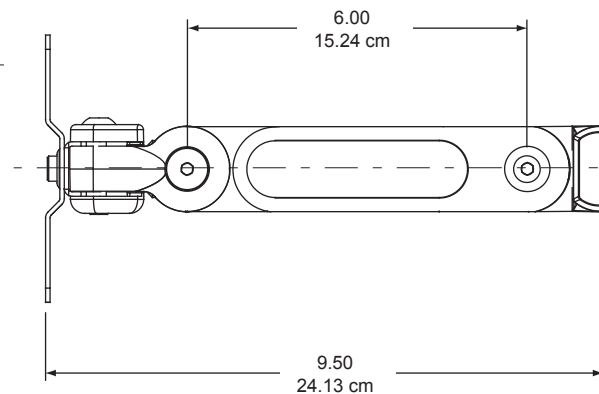
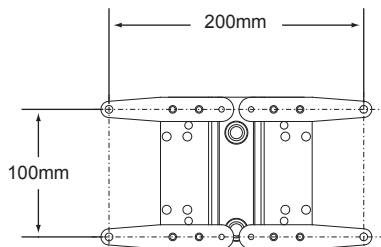
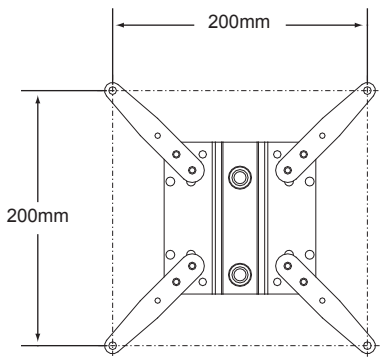


# VANTAGE POINT

Possibilities are mounting.™

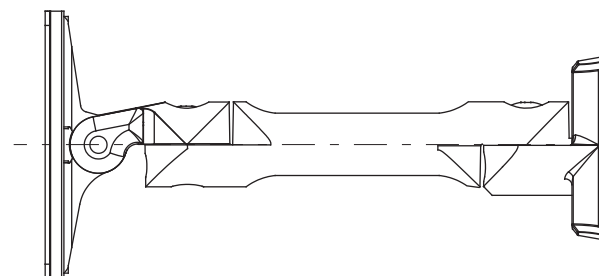
the **evō** system™

MAX TOTAL WEIGHT 40 LBS / 18.14 KG

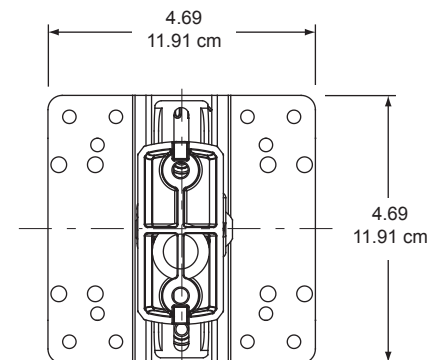


ISOMETRIC  
VIEW

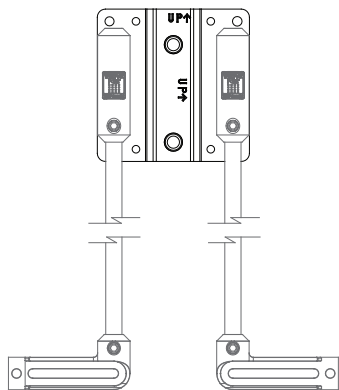
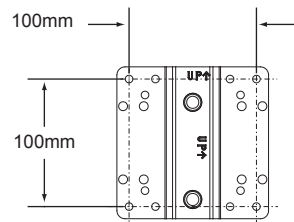
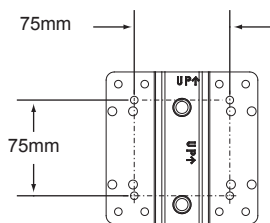
TOP VIEW



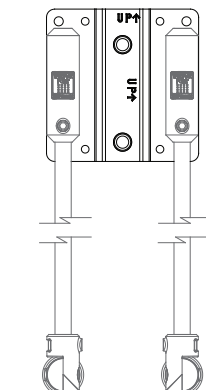
SIDE VIEW



REAR VIEW



OPTIONAL  
CENTER SPEAKER MOUNT



Vantage Point Products Corp. 10233 Palm Drive Santa Fe Springs, CA 90670

USA: 800.582.9595 Canada: 905.607.9994 Europe: 31.72.581.6056

Email: [cons-serv@vanptc.com](mailto:cons-serv@vanptc.com) Website: [www.vanptc.com](http://www.vanptc.com)